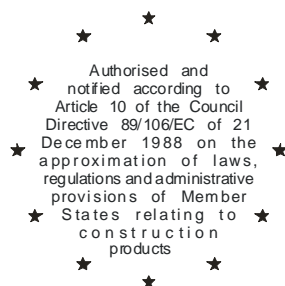


**TECHNICKÝ A ZKUŠEBNÍ ÚSTAV
STAVEBNÍ PRAHA, s.p.**

Prosecká 811/76a
CZ-190 00 Praha 9
Tel.: +420 286 019 458
Internet: www.tzus.cz



MEMBER OF EOTA

European Technical Approval

ETA-13/0968

(English language translation, the original version is in Czech language)

Obchodní název
Trade name

Sika AnchorFix-2 Bonded anchor

Držitel schválení
Holder of approval

SIKA Services AG
Tüffenwies 16
CH-8048 Zürich
Switzerland

Typ a použití výrobku
*Generic type and use
of construction product*

Chemická injektovaná kotva pro kotvení nerezových nebo pozinkovaných ocelových tyčí do netrhlinového betonu o velikosti M8, M10, M12, M16, M20 a M24
Bonded injection type anchor made of galvanized or stainless steel for non cracked concrete: sizes M8, M10, M12, M16, M20 and M24

Platnost
Validity
od
from
do
to

26.06.2013
05.06.2018

Výrobna
Manufacturing plant

Usine Sika Construction N°503 44 08

Toto evropské technické schválení obsahuje
This European Technical Approval contains

15 stran včetně 7 příloh, které tvoří nedílnou součást dokumentu
15 pages including 7 Annexes which form an integral part of the document



European Organisation for Technical Approvals
Evropská organizace pro technické schvalování

I. LEGAL BASES AND GENERAL CONDITIONS

1. This European Technical Approval is issued by the Technical and Test Institute for Construction Prague (Technický a zkušební ústav stavební Praha, s.p.) in accordance with:
 - Council Directive 89/106/EEC of 21 December 1988 on the approximation of laws, regulations and administrative provisions of Member States relating to construction products¹, modified by the Council Directive 93/68/EEC²; and Regulation (EC) No.1882/2003 of the European Parliament and of the Council³
 - the Government Decree No. 190/2002 Collection of Laws⁴, as amended
 - Common Procedural Rules for Requesting, Preparing and the Granting of European Technical Approvals set out in the Annex to Commission Decision 94/23/EC⁵;
 - Guideline for European Technical Approval of „Metal Anchors for use in Concrete“, ETAG 001, Part 1 ‘Anchors in general’ and Part 5 ‘Bonded anchors’.
2. Technický a zkušební ústav stavební Praha, s.p. is authorised to check whether the provisions of this European Technical Approval are met. Checking may take place in the manufacturing plant. Nevertheless, the responsibility for the conformity of the products to the European Technical Approval and for their fitness for the intended use remains with the holder of the European Technical Approval.
3. This European Technical Approval is not to be transferred to manufacturers or agents of manufacturers other than those indicated on page 1, or manufacturing plants other than those indicated on page 1 of this European Technical Approval.
4. This European Technical Approval may be withdrawn by the Technical and Test Institute for Construction Prague in particular pursuant to information by the Commission according to Article 5.1 of the Council Directive 89/106/EEC.
5. Reproduction of this European Technical Approval including transmission by electronic means shall be in full. However, partial reproduction can be made with the written consent of the Technical and Test Institute for Construction Prague. In this case, partial reproduction has to be designated as such. Texts and drawings of advertising brochures shall not contradict or misuse the European Technical Approval.
6. The European Technical Approval is issued by the approval body in its official language. This version corresponds to the version circulated within EOTA. Translations into other languages have to be designated as such.

¹ Official Journal of the European Communities N° L 40, 11.02.1989, p. 12

² Official Journal of the European Communities N° L 220, 30.08.1993, p. 1

³ Official Journal of the European Union no. L 284, 31.10.2003, p. 1

⁴ Collection of Law of the Czech Republic Vol.79 No190 , 21.5.2002

⁵ Official Journal of the European Communities N° L 17, 20.01.1994, p. 34

II. SPECIFIC CONDITIONS OF THE EUROPEAN TECHNICAL APPROVAL

1 Definition of product and intended use

1.1 Definition of product

The Sika AnchorFix-2 Bonded anchor galvanized or stainless steel in the sizes M8 to M24 is bonded anchor (injection type) made of galvanized steel or stainless steel, which is placed into a drilled hole previously injected with two components injection mortar using an applicator gun equipped with a special mixing nozzle. The standard threaded rod is inserted into the resin with a slow and slight twisting motion.

The threaded rod maybe used with a flat tip end, a one side 45° chamfer or with two sides 45° chamfer. The mortar cartridges are available in different sizes (150 ml to 850 ml) and system (coaxial, side by side, capsule in cartridge or peeler). The anchor is intended to be used with embedment depth from 8 diameters to 12 diameters.

The installed anchor is shown in Annex 1.

1.2 Intended use

The anchor is intended to be used for anchorages for which requirements for mechanical resistance and stability and safety in use in sense of the Essential Requirements 1 and 4 of Council Directive 89/106/EEC shall be fulfilled and failure of anchorages made with these products would compromise the stability of the works, cause risk to human life and/or lead to considerable economic consequence. Safety in case of fire (Essential Requirement 2) is not covered in this ETA. The anchor is to be used only for anchorages subject to static or quasistatic loading in reinforced or unreinforced normal weight concrete of strength class C20/25 at minimum and C50/60 at maximum according EN 206-1:2000-12.

The anchor may be used in non-cracked concrete only.

The anchor may be instaled in dry and wet concrete (use category 1).

The anchor may be used overhead.

The anchor may be used in the following temperature ranges:
-40°C to +80°C (max long term temperature +50°C,
max short term temperature +80°C)

Galvanized steel:

The anchor rod, nut and washer made of zinc plated steel may only be used in structures subject to dry internal conditions.

Stainless steel A4-70 and A4-80:

The anchor rod, nut and washers made of stainless steel may be used in structures subject to dry internal conditions and also in structures subject to external atmospheric exposure (including industrial and marine environmental), or exposure to permanently damp internal conditions, if no particular aggressive conditions exist. Such particular aggressive conditions are e.g. permanent, alternating immersion in seawater or the splash zone of seawater, chloride atmosphere of indoor swimming pools or atmosphere with extreme chemical pollution (e.g. in desulphurization plants or road tunnels where deicing materials are used).

High corrosion resistant steel:

The anchor rod, nut and washers made of high corrosion resistant steel may be used in structures subject to dry internal conditions and also in structures subject to external atmospheric exposure, in permanently damp internal conditions or in other particular aggressive conditions. Such particular conditions are e.g. permanent, alternating immersion in seawater or the splash zone of seawater, chloride

atmosphere of indoor swimming pools or atmosphere with chemical pollution (e.g. in desulphurization plants or road tunnels where de-icing materials are used).

The provisions made in this European Technical Approval are based on an assumed working life of the anchor of 50 years. The indications given on the working life cannot be interpreted as a guarantee given by the producer, but are to be regarded only as a means for choosing the products in relation to the expected economically reasonable working life of the works.

2 Characteristics of the product and methods of verification

2.1 Characteristics of the product

The anchors correspond to the drawings and information give in Annexes 1 and 4. The characteristic material values, dimensions and tolerances of the anchor not indicated in Annexes 1 and 4 shall correspond to the respective values laid down in the technical documentation⁶ of this European Technical Approval.

The characteristic values of Sika AnchorFix-2 Bonded anchor for the design of the anchorages are given in Annexes 5 - 6.

Each mortar cartridge is to be marked with the producer name, trade name, shelf-life and curing and processing time.

The Sika AnchorFix-2 Bonded anchor is intended to be used with commercial standard threaded rods according to annex 1 and 5.

- Mechanical properties according to EN ISO 898-1
- Quality affirmation of the mechanical properties with an inspection document according to EN 10204:2004
- Marking of the threaded rod with the embedment depth. This may be done by the manufacturer of the rod or the person on job site.

The two components of the Sika AnchorFix-2 Bonded anchor injection mortar could be delivered in unmixed condition in mortar cartridges in sizes of 150 ml, 380ml, 400 ml, 410 ml in case of coaxial cartridges (C-CN), 350 ml, 825 ml in case of side by side cartridges (S-CN), 150 ml, 170 ml, 300 ml, 550 ml and 850 ml in case of two part foil capsule within in a single component cartridge (CIC) and 280 ml in case of peeler (PLR) according Annex 2.

2.2 Methods of verification

The assessment of the fitness of the anchor for the intended use in relation to the requirements for safety in use in the sense of Essential Requirement 1 and 4 has been made in compliance with the Guideline for European Technical Approval of "Metal anchors for use in concrete ", ETAG 001, Part 1 "Anchors in general" and Part 5 "Bonded anchors", on the basis of Option 7.

In addition to the specific clauses relating to dangerous substances contained in this European Technical Approval, there may be other requirements applicable to the products falling within its scope (e.g. transposed European legislation and national laws, regulations and administrative provisions). In order to meet the provisions of the UE Construction Products Directive, these requirements need also to be complied with, when and where they apply.

⁶ The technical documentation of this European Technical Approval is deposited at the Technický a zkušební ústav stavební Praha, s.p, as far as relevant for the tasks of the approved bodies involved in the attestation of conformity producer, is handed over to the approved bodies.

3 Evaluation of conformity of the product and CE marking

3.1 System of attestation of conformity

The system of attestation of conformity is the system 1 described in Council Directive 89/106/EEC Annex III, 2 (i), as follows:

Certification of conformity of the product by a Notified Body based on:

- (a) Tasks of the manufacturer:
 - (1) factory production control,
 - (2) testing of samples taken at the factory by the manufacturer in accordance with a prescribed control plan.
- (b) Tasks of the notified body:
 - (3) initial type-testing of the product,
 - (4) initial inspection of factory and of factory production control,
 - (5) continuous surveillance, assessment and approval of factory production control.

3.2 Responsibility

3.2.1 Tasks of the manufacturer

3.2.1.1 Factory production control

The manufacturer shall exercise permanent internal control of production. All the elements, requirements and provisions adopted by the manufacturer shall be documented in a systematic manner in the form of written policies and procedures, including records of results performed. This production control system shall insure that the product is in conformity with this European Technical Approval.

The manufacturer may only use raw materials stated in the technical documentation of this European Technical Approval.

The factory production control shall be in accordance with the control plan which is a part of the technical documentation of this European Technical Approval. The control plan is laid down in the context of the factory production control system operated by the manufacturer and deposited at Technický a zkušební ústav stavební Praha, s.p.⁷.

The results of factory production control shall be recorded and evaluated in accordance with the provisions of the control plan.

3.2.1.2 Other tasks of manufacturer

The manufacturer shall, on the basis of a contract, involve a body which is approved for the tasks referred to in section 3.1 in the field of anchors in order to undertake the actions laid down in section 3.2.2. For this purpose, the control plan referred to in sections 3.2.1.1 and 3.2.2 shall be handed over by the manufacturer to the approved body involved.

The manufacturer shall make a declaration of conformity, stating that the construction product is in conformity with the provisions of this European Technical Approval.

3.2.2 Tasks of the approved body

The approved body shall perform the:

- initial type-testing of the product
- initial inspection of factory and of factory production control
- continuous surveillance, assessment and approval of factory production control

in accordance with the provisions laid down in the control plan.

⁷

The control plan is a confidential part of the documentation of the European Technical Approval, but not published together with the ETA and only handed over to the approved body involved in the procedure of attestation of conformity. See section 3.2.2.

The approved body shall retain the essential points of its actions referred to above and state the results obtained and conclusions drawn in a written report.

The approved certification body involved by the manufacturer shall issue an EC certificate of conformity of the factory production control stating the conformity with the factory production control of this European Technical Approval.

In cases where the provisions of the European Technical Approval and its control plan are no longer fulfilled the certification body shall withdraw the certificate of conformity and inform Technický a zkušební ústav stavební Praha, s.p without delay.

3.3 CE marking

The CE-marking⁸ shall be affixed on each packaging of the anchor. The symbol "CE" shall be accompanied by the following information:

- name or identifying mark of producer and manufacturing plant;
- the last two digits of the year in which the CE-marking was affixed;
- identification number of an approved body;
- number of the EC certificate of conformity;
- number of the European Technical Approval;
- use category (ETAG 001-1, Option 7).

4 Assumptions under which the fitness of the product for the intended use was favourably assessed

4.1 Manufacturing

The anchor is manufactured in accordance with the provisions of the European Technical Approval using the automated manufacturing process as verified by the inspection of the plant performed by the Technický a zkušební ústav stavební Praha, s.p. as laid down in the technical documentation.

4.2 Installation

4.2.1 Design of anchorages

The fitness of the anchors for the intended use is given under the following conditions:

The anchorages are designed in accordance with the EOTA Technical Report TR 029 "Design of bonded anchors" under the responsibility of an engineer experienced in anchorages and concrete work.

Verifiable calculation notes and drawings are prepared taking account of the loads to be anchored.

The position of the anchor is indicated on the design drawings (e.g. position of the anchor relative to reinforcement or to support, etc.).

4.2.2 Installation of anchor

The fitness for use of the anchor can only be assumed if the following conditions of installation are met:

- anchor installation carried out by appropriately qualified personnel under the supervision of the person responsible for technical matters on site;
- use of the anchor only as supplied by the manufacturer without exchanging any components of the anchor; commercial standard threaded rods (in the case of rods made of galvanised steel - standard rods of the strength class ≤ 8.8 only), washers and hexagon nuts may be used if the following requirements are fulfilled:

⁸ Notes on the CE marking are stated in Guidance Paper D „CE marking under the Construction Products Directive“, Brussels, 01 August 2002

- Material, dimensions and mechanical properties according Annex 1
- Confirmation of material and mechanical properties by inspection certificate 3.1 according to EN 10204:2004,
- Marking of threaded rod with the envisage embedment depth. This may be done by the manufacturer of the rod or the person on job site
- anchor installation in accordance with the manufacturer's specifications and drawings using the tools indicated in this European Technical Approval;
- checks before placing the anchor to ensure that the strength class of the concrete in which the anchor is to be placed is in the range;
- check of the concrete being well compacted, e.g. without significant voids;
- keeping the effective anchorage depth;
- edge distance and spacing not less than the specified values without minus tolerance;
- placing drill holes without damaging the reinforcement;
- in case of aborted drill hole, the drill hole shall be filled with mortar;
- the hole shall not be filled with water;
- cleaning the drill hole by following: at least 2 x blowing, 2 x brushing, 2 x blowing, 2 x brushing and 2 x blowing. To cleaning shall be used brush according Annex 4 Table 1;
- anchor installation ensuring the specified embedment depth, that is the appropriate depth marking of the anchor not exceeding the concrete surface;
- mortar injection by using the equipment including the special mixing nozzle shown in Annex 2, discarding the first portion of mortar of each new cartridge until a homogenous color is achieved; taking from the manufacturer instruction the admissible processing time (open time) of a cartridge as a function of the ambient temperature of the concrete; filling the drill hole uniformly from the drill hole bottom, in order to avoid entrapment of air; removing the special mixing nozzle slowly bit by bit during pressing-out; filling the drill hole with a quantity of the injection mortar corresponding to ½ of the drill hole; inserting immediately the threaded rod, slowly and with a slight twisting motion, removing excess of injection mortar around the rod; observing the curing time according to Annex 4 table 3 until the rod may be loaded;
- during curing of the injection mortar the temperature of the concrete must not fall below +5°C;
- application of the torque moment given in Annex 4 table 1 using calibrated torque wrench.

4.2.3 Responsibility of the manufacturer

It is in the responsibility of the manufacturer to ensure that the information on the specific conditions according to (1) and (2) including Annexes referred to 4.2.1, 4.2.2 is given to those who are concerned. This information may be made by reproduction of the respective parts of the European Technical Approval. In addition, all installation data shall be shown clearly on the packaging and/or on an enclosed instruction sheet, preferably using illustration(s).

The minimum data required for manual are:

- drill bit diameter,
- thread diameter,
- maximum thickness of the fixture,
- minimum installation depth,

- required torque moment,
- admissible installation temperature range,
- curing time of the bonding material depending on the installation temperature,
- information on the installation procedure, include cleaning of the hole,
- reference to any special installation equipment needed,
- identification of the manufacturing batch.

All data shall be presented in a clear and explicit form.

5 Recommendations for the manufacturer

5.1 Recommendations on packaging, transportation and storage

The mortar cartridges shall be protected against sun radiation and shall be stored according to the manufacturer's instructions in dry conditions.

It shall be stored at temperatures of at least +5°C to not more than +20°C.

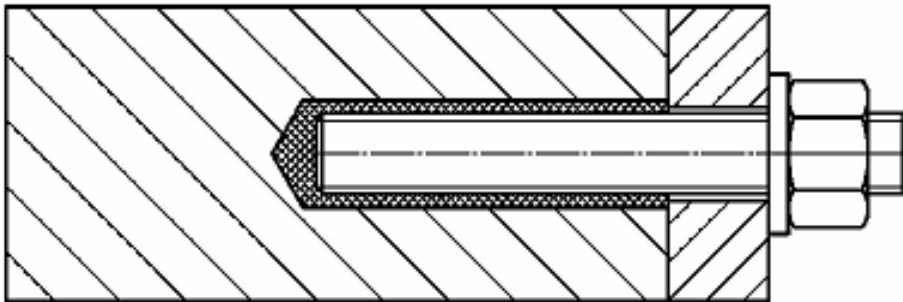
Mortar cartridges with expired shelf life must no longer be used.

The original Czech version is signed by

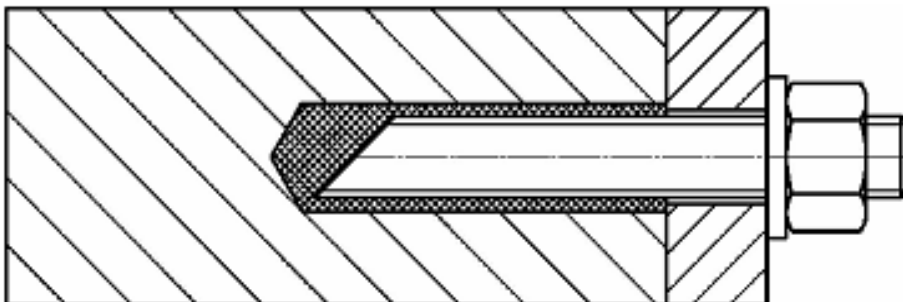
Ing. Jozef Pôbiš
Head of the Approval Body

Anchor in use

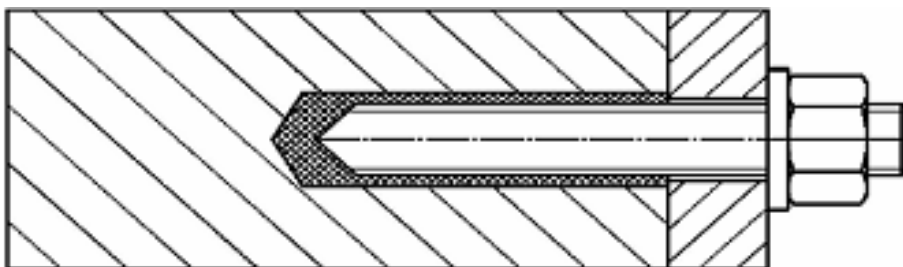
Standard threaded rod with flat tip end



Standard threaded rod with one side 45° chamfer



Standard threaded rod with two side 45° chamfer



Threaded rod

Standard commercial threaded rod (in the case of rods made of galvanised steel - standard rods of the strength class ≤ 8.8 only) with marked embedment depth h_{ef} from $8d$ to $12d$.

Materials

	Size	Material
Threaded rod	M8 to M24	Galvanized steel grade 4.6, 5.8, 8.8, 10.9* EN ISO 898
		Stainless steel A4-70, A4-80 EN ISO 3506
		High corrosion resistant steel 1.4529 EN 10088
Nut	-	According to threaded rod
Washer	-	According to threaded rod

*- Galvanized rod of high strength are sensitive to hydrogen induced brittle failure

Category: Non cracked concrete
 Dry or wet concrete

Temperature range: -40°C to +80°C (max short term temperature +80°C,
 max long term temperature +50°C)

Sika AnchorFix-2 Bonded anchor

Product and intended use

Annex 1

of European Technical Approval
 ETA-13/0968

Cartridge

Coaxial cartridge

- AnchorFix-2 150 ml
- AnchorFix-2 380 ml
- AnchorFix-2 400 ml
- AnchorFix-2 410 ml



Side by side cartridge

- AnchorFix-2 350 ml
- AnchorFix-2 825 ml

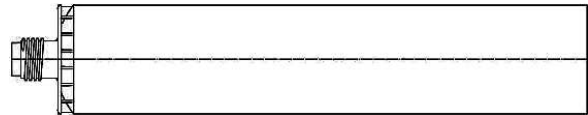


Two part foil capsule within in a single component cartridge

- AnchorFix-2 150 ml
- AnchorFix-2 170 ml
- AnchorFix-2 300 ml
- AnchorFix-2 550 ml



- AnchorFix-2 850 ml



Peeler cartridge

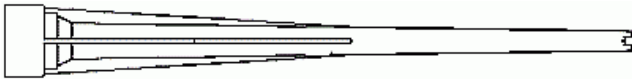
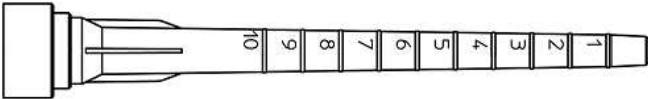
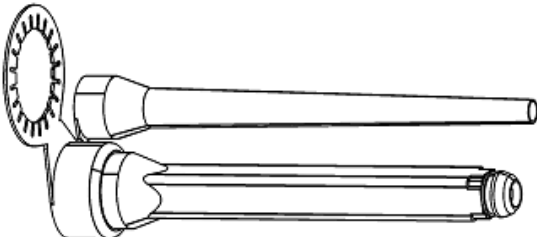

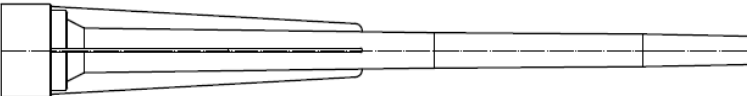
- AnchorFix-2 280 ml



Marking of the mortar cartridges

Identifying mark of the producer, Trade name, Charge code number, Storage life, Curing and processing time

Mixing nozzle

- KW 
- RC 
- RM 
- TB 
- KR for use with 850 ml 

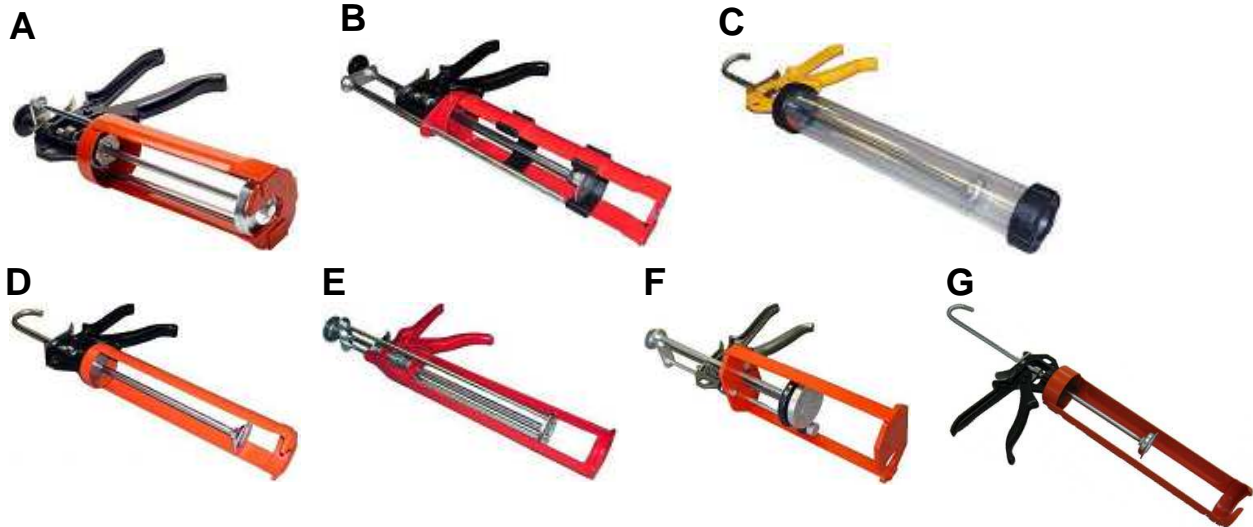
Sika AnchorFix-2 Bonded anchor

Cartridge, mixing nozzle

Annex 2

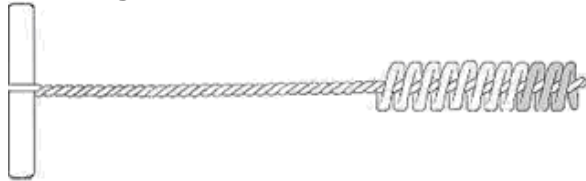
of European Technical Approval
 ETA-13/0968

Applicator gun



Applicator gun	A	B	C	D	E	F	G
Cartridge	Coaxial 380 ml 400 ml 410 ml	Side by side 345 ml	Foil capsule 150 ml 170 ml 300 ml 550 ml	Foil capsule 150 ml 300 ml Peeler 280 ml	Coaxial 150 ml	Side by side 825 ml	Foil capsule 850 ml

Cleaning brush



Installation procedure

Installation Procedure

1

Drill the hole to the correct diameter and depth using a rotary percussive machine.

2a

2b

Repeat operations illustrated in 2a and 2b

2d

Use the Sika Blow Pump and Brush to clean the hole.

3

Once the hole is prepared remove the screw cap from the cartridge.

4

Attach the mixer nozzle, and place the cartridge in the applicator gun

5

Dispense the first part to waste, until an even colour is achieved.

6

To ensure maximum load remove any free water from the hole.

7

Insert the nozzle to the far end of the hole (using extension tubing if necessary) and inject the resin, withdrawing the nozzle/tube as the hole fills.

8

Immediately insert the fixing, slowly and with a slight twisting motion. Remove excess resin from around the mouth of the hole before it sets.

9

Leave the fixing undisturbed until the cure time has elapsed.

10

Attach the fixture and tighten the nut.

Sika AnchorFix-2 Bonded anchor

Applicator gun, Installation procedure

Annex 3

of European Technical Approval
 ETA-13/0968

Table 1: Installation parameter

Size		M8	M10	M12	M16	M20	M24
Nominal drill hole diameter	$\varnothing d_0$ [mm]	10	12	14	18	22	26
Diameter of cleaning brush	d_b [mm]	14	14	20	20	29	29
Torque moment	T_{inst} [Nm]	10	20	40	80	150	200
$h_{ef,min} = 8d$							
Depth of drill hole	h_0 [mm]	64	80	96	128	160	192
Minimum edge distance	c_{min} [mm]	35	40	50	65	80	95
Minimum spacing	s_{min} [mm]	35	40	50	65	80	95
Minimum thickness of member	h_{min} [mm]	$h_{ef} + 30 \text{ mm} \geq 100 \text{ mm}$				$h_{ef} + 2d_0$	
$h_{ef,max} = 12d$							
Depth of drill hole	h_0 [mm]	96	120	144	192	240	288
Minimum edge distance	c_{min} [mm]	50	60	70	95	120	145
Minimum spacing	s_{min} [mm]	50	60	70	95	120	145
Minimum thickness of member	h_{min} [mm]	$h_{ef} + 30 \text{ mm} \geq 100 \text{ mm}$				$h_{ef} + 2d_0$	

Table 2: Cleaning

All diameters
- 2 x blowing
- 2 x brushing
- 2 x blowing
- 2 x brushing
- 2 x blowing

Table 3: Minimum curing time

Cartridge Temperature (°C)	Processing Time (min)	Concrete Temperature (°C)	Minimum Curing Time (min)
Minimum +5	12	-5 to 0	24 hours
		0 to +5	180
+5 to +10	8	+5 to +10	100
+10 to +20	4	+10 to +20	70
+20 to +25	3	+20 to +25	40
+25 to +30	2	+25 to +30	40
+30	1	+30	40
Cartridge must be conditioned to minimum +5°C			

Sika AnchorFix-2 Bonded anchor

Installation parameters, Cleaning, Curing time

Annex 4

of European Technical Approval
 ETA-13/0968

Table 4: Design method TR 029
 Characteristic values of resistance to tension load

Steel failure – Characteristic resistance								
Size			M8	M10	M12	M16	M20	M24
Steel grade 4.6	$N_{Rk,s}$	[kN]	15	23	34	63	98	141
Partial safety factor	γ_{Ms}	[-]	2					
Steel grade 5.8	$N_{Rk,s}$	[kN]	18	29	42	79	123	177
Partial safety factor	γ_{Ms}	[-]	1,5					
Steel grade 8.8	$N_{Rk,s}$	[kN]	29	46	67	126	196	282
Partial safety factor	γ_{Ms}	[-]	1,5					
Steel grade 10.9	$N_{Rk,s}$	[kN]	37	58	84	157	245	353
Partial safety factor	γ_{Ms}	[-]	1,4					
Stainless steel grade A4-70	$N_{Rk,s}$	[kN]	26	41	59	110	172	247
Partial safety factor	γ_{Ms}	[-]	1,9					
Stainless steel grade A4-80	$N_{Rk,s}$	[kN]	29	46	67	126	196	282
Partial safety factor	γ_{Ms}	[-]	1,6					
Stainless steel grade 1.4529	$N_{Rk,s}$	[kN]	26	41	59	110	172	247
Partial safety factor	γ_{Ms}	[-]	1,5					

Combined pullout and concrete cone failure in non-cracked concrete C20/25								
Size			M8	M10	M12	M16	M20	M24
Characteristic bond resistance	τ_{Rk}	[N/mm ²]	11	9,5	10	10	9	8
Partial safety factor	γ_{Mc}	[-]	1,8					
Factor for concrete C30/37			1,04					
Factor for concrete C40/50	ψ_c	[-]	1,07					
Factor for concrete C50/60			1,09					

Splitting failure								
Size			M8	M10	M12	M16	M20	M24
Edge distance	$c_{cr,sp}$	[mm]	1,5 h_{ef}					
Spacing	$s_{cr,sp}$	[mm]	3,0 h_{ef}					
Partial safety factor	γ_{Msp}	[-]	1,8					

Sika AnchorFix-2 Bonded anchor

Design method TR 029
 Characteristic values of resistance to tension load

Annex 5

of European Technical Approval
 ETA-13/0968

Table 5: Design method TR 029
 Characteristic values of resistance to shear load

Steel failure without lever arm								
Size			M8	M10	M12	M16	M20	M24
Steel grade 4.6	$V_{Rk,s}$	[kN]	7	12	17	31	49	71
Partial safety factor	γ_{Ms}	[-]	1,67					
Steel grade 5.8	$V_{Rk,s}$	[kN]	9	15	21	39	61	88
Partial safety factor	γ_{Ms}	[-]	1,25					
Steel grade 8.8	$V_{Rk,s}$	[kN]	15	23	34	63	98	141
Partial safety factor	γ_{Ms}	[-]	1,25					
Steel grade 10.9	$V_{Rk,s}$	[kN]	18	29	42	79	123	177
Partial safety factor	γ_{Ms}	[-]	1,5					
Stainless steel grade A4-70	$V_{Rk,s}$	[kN]	13	20	30	55	86	124
Partial safety factor	γ_{Ms}	[-]	1,56					
Stainless steel grade A4-80	$V_{Rk,s}$	[kN]	15	23	34	63	98	141
Partial safety factor	γ_{Ms}	[-]	1,33					
Stainless steel grade 1.4529	$V_{Rk,s}$	[kN]	13	20	30	55	86	124
Partial safety factor	γ_{Ms}	[-]	1,25					

Steel failure with lever arm								
Size			M8	M10	M12	M16	M20	M24
Steel grade 4.6	$M_{Rk,s}^o$	[N.m]	15	30	52	133	260	449
Partial safety factor	γ_{Ms}	[-]	1,66					
Steel grade 5.8	$M_{Rk,s}^o$	[N.m]	19	37	66	166	325	561
Partial safety factor	γ_{Ms}	[-]	1,25					
Steel grade 8.8	$M_{Rk,s}^o$	[N.m]	30	60	105	266	519	898
Partial safety factor	γ_{Ms}	[-]	1,25					
Steel grade 10.9	$M_{Rk,s}^o$	[N.m]	37	75	131	333	649	1123
Partial safety factor	γ_{Ms}	[-]	1,50					
Stainless steel grade A4-70	$M_{Rk,s}^o$	[N.m]	26	52	92	233	454	786
Partial safety factor	γ_{Ms}	[-]	1,56					
Stainless steel grade A4-80	$M_{Rk,s}^o$	[N.m]	30	60	105	266	519	898
Partial safety factor	γ_{Ms}	[-]	1,33					
Stainless steel grade 1.4529	$M_{Rk,s}^o$	[N.m]	26	52	92	233	454	786
Partial safety factor	γ_{Ms}	[-]	1,25					
Concrete pryout failure								
Factor k from TR 029			2					
Design of bonded anchors, Part 5.2.3.3			2					
Partial safety factor	γ_{Mp}	[-]	1,5					

Concrete edge failure								
Size			M8	M10	M12	M16	M20	M24
See section 5.2.3.4 of Technical Report TR 029 for the Design of Bonded Anchors								
Partial safety factor	γ_{Mc}	[-]	1,5					

Sika AnchorFix-2 Bonded anchor

Design method TR 029
 Characteristic values of resistance to shear load

Annex 6

of European Technical Approval
 ETA-13/0968

Table 6: Displacement under tension and shear load

Anchor size		M8	M10	M12	M16	M20	M24
Tension load	F [kN]	6,3	9,9	13,9	23,8	29,8	45,6
Displacement	δ_{N0} [mm]	0,2	0,2	0,2	0,2	0,2	0,4
	$\delta_{N\infty}$ [mm]	0,4	0,4	0,4	0,4	0,4	0,4
Shear load	F [kN]	5,2	8,3	12,0	22,4	35,0	50,4
Displacement	δ_{V0} [mm]	2,0	2,0	2,0	2,0	2,0	2,0
	$\delta_{V\infty}$ [mm]	4,0	4,0	4,0	4,0	4,0	4,0

Sika AnchorFix-2 Bonded anchor

Displacement under tension and shear load

Annex 7

of European Technical Approval
 ETA-13/0968