

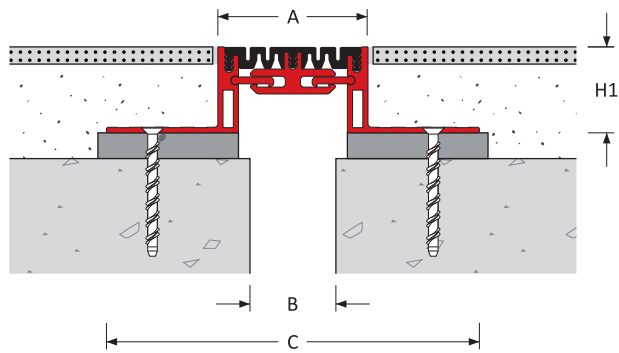
SINGLE-SEAL EXPANSION JOINT

Floor to Floor | Floor to Wall

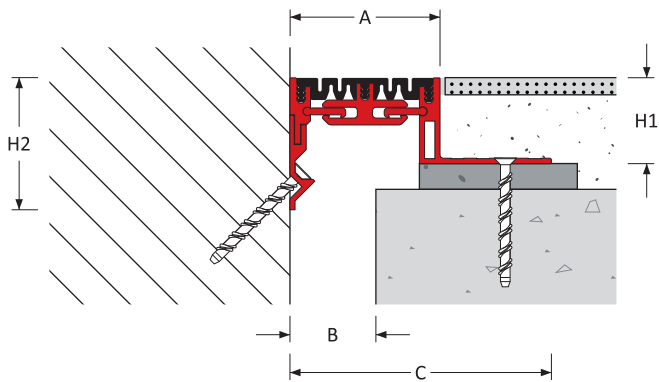
25 - 100 mm (1 - 4") Expansion Gaps

SIKAJOINT 140 : A01-A02

SikaJoint 140 : A01



SikaJoint 140 : A02



Expansion Joint Selection Criteria

Load Rating

Product Details

Joint Location	Gap Width B(mm)	Movement Capacity (mm)		Eurocode Rating				Product Dimensions				Product Number
		±	[Total]					Height		Sightline	Blockout	
								H1 (mm)	H2 (mm)	A (mm)	C (mm)	
Floor - Floor	25	± 6	[12]	5 kN	46 kN	30 kN	-	25: 35: 50	-	70	200	140-A01-025-(H1)
	50	± 12	[25]							87	217	140-A01-050-(H1)
	75	± 20	[40]	2 kN	31 kN	-	111			241	140-A01-075-(H1)	
	100	± 25	[50]				136			266	140-A01-100-(H1)	
Floor - Wall	25	± 6	[12]	5 kN	46 kN	30 kN	-	25: 35: 50	77	70	135	140-A02-025-(H1)
	50	± 12	[25]							87	153	140-A02-050-(H1)
	75	± 20	[40]	2 kN	31 kN	-				111	176	140-A02-075-(H1)
	100	± 25	[50]							136	201	140-A02-100-(H1)

When specifying or ordering please add the **height (H1)** required to the Product Reference.

For example MaxAtec 140 : A01-075-035 denotes a joint 35mm high.

Complementary Systems

Internal Wall - 140 : A07-A09 - Pg 74 - 75

BUILDING TRUST



Features

Surface

Ribbed surface for improved slip resistance
Centre supported and Americans with Disabilities Act (ADA) compliant across the entire movement cycle

Movement

High movement capacity
ASTM E-1399 Class I: Thermal
Class II: Wind

Traffic Frequency per day

				
> 25,000	≤ 1,000	≤ 100	≤ 10	-

System Options

Gap width(s)	25, 50, 75, 100 mm
Height(s)	25, 35, 50 mm
Metal type(s)	Aluminium
Seal colour(s)	Black, Grey, Stone
Fire barrier	120-240 minutes
Waterproofing	Moisture barrier
Pre-assembly in factory	Contact Sika

SINGLE-SEAL EXPANSION JOINT
Floor to Floor | Floor to Wall
25 - 100 mm (1 - 4") Expansion Gaps

SikaJoint 140 : A01-A02



APPLICATIONS

Airport Terminals | Educational | Exhibition Centres
Department Stores | Distribution & Retail Warehouses
Factories | Hospitals | Museums | Offices & Hotels
Parking | Places of Worship | Residential Buildings
Rail, Metros & Elevated Rail Stations | Roads & Bridges
Shopping Centres | Sports Stadiums | Supermarkets