

Fast-setting waterproofing slurry

PCI Seccoral[®] 2K Rapid

under ceramic tiles and for external basement walls and foundations



 0761 PCI Augsburg GmbH Piccardstraße 11 D-86159 Augsburg 15 DE016204 PCI Seccoral 2K Rapid (DE016204) EN 14891-2012+AC:2012 Liquid-applied water impermeable product for installations beneath ceramic tiles (bonded with PCI C2, C2F or F2 adhesives in accordance with EN 12004), EN 14891 CM GGP	 1073,0767 PCI Augsburg GmbH Piccardstraße 11 D-86159 Augsburg 16 DE016301 ETA-15/0563 PCI Seccoral 2K Rapid (DE016301) Liquid applied watertight covering kit for wet room floors and walls ETAG 022 Part 1:2007 Reaction to fire: Class B2X Thermal stability: No degradation Water permeability: Z = 40 000 s/m Crack bridging: Minimum: Class 1 Crack bridging ability: Class 2 Crack bridging ability: Class 2 Crack bridging ability: Class 2 Crack bridging ability: Class 2 Crack bridging ability: Class 2 Resistance to temperature: Class 2 Resistance to water: Class 2 Resistance to alkalis: Resistant Resistance to acids: Resistant Thickness: Minimum thickness 2.0mm Application: Application
---	--



With official test certificates. Tested in accordance with DVGW worksheet W 270 for use in swimming pools and bathing pools

Fields of application

- For indoor and outdoor use.
- For walls and floors.
- Suitable for moisture exposure classes W0-I, W1-I, W2-I and W3-I in accordance with DIN 18534; DIN 18531-5 (for example balconies, terraces, etc.); DIN 18533 (building elements in contact with soil); DIN 18535 (swimming pools and tanks).
- For waterproofing in accordance with the Austrian Standard B 3407 exposure classes W1 - W6; in W5 without increased chemical exposure.
- For the crack-bridging waterproofing of new and existing above-ground and underground structures.
- For horizontal damp courses in and under walls (e.g. clinker bricks, etc) to protect against capillary rising damp, e.g. waterproofing for the bases of new and existing buildings.
- Can take mechanical loads up to use class III in accordance with the ZDB code of practice "Hoch belastete Beläge" (coverings subject to heavy duty exposure).



Hotel Tschuggen

Features and benefits

- Water impermeable and frost resistant, multi-purpose use indoors and out.
- Crack bridging, high reliability even if cracks in the substrate form at a later stage.
- Isolating properties, reduces tensions, can be applied to a cement screed as soon as walkable, and tiled over.
- Good workability, creamy consistency, easy to apply by brush or trowel.
- High convenience in application due to a fast setting time, but long time to form a skin.
- Low odor development, no unpleasant, irritating odor.
- Crack-free curing, the coating does not crack or crumble.
- Pervious to water vapor.
- Tested in accordance with DVGW worksheet W 270, suitable for use in swimming pools and bathing pools.
- Very low emissions PLUS, GEV-EMICODE EC 1 PLUS.

Technical data

Material

	Liquid component	Powder component
Material base	modified acrylate dispersion	special cement mortar with waterproofing PCI polymers
Shelf life	min. 12 months	min. 12 months
	dry, frost free, no permanent storage over +30°C	
Packaging size	25 kg unit consisting of	
	liquid component 12,5 kg pail (plastic) and	
	powder component 12.5 kg bag	

Application

PCI Seccoral® 2K Rapid

A dry layer thickness of at least 2 mm is required for all applications in which the product is used as a waterproofing layer directly under tiles or slabs (**bonded waterproofing**).

Examples:

Applications subject to official regulation (building standard list A part 2 ff. 2.50):

- Walls subject to severe water exposure as a result of industrial use and cleaning (**A**), e.g. in public shower facilities
- Floors subject to severe water exposure as a result of industrial use and cleaning (**A**), e.g. swimming pool surrounds
- Floor and wall surfaces in swimming pools (use class **B**)

In accordance with DIN 18534 (waterproofing for indoor applications) **Part 3:** Waterproofing with liquid-applied waterproofing materials in conjunction with tiles and flagstones (AIV-F)

- Water exposure class **W0-I: low** water exposure; areas infrequently exposed to spray water
- Water exposure class **W1-I: moderate** water exposure; areas frequently exposed to spray water or infrequently exposed to service water, without intensification by exposure to standing water
- Water exposure class **W2-I: high** water exposure; areas frequently exposed to spray water and/or service water, with more intensive exposure to standing water at certain times, especially on floors
- Water exposure class **W3-I: very high** water exposure; surfaces with very frequent or long-lasting exposure to spray water and/or service water and/or water from intensive cleaning processes, intensified by standing water

*PCI Seccoral 2K Rapid is not suitable for use on surfaces exposed to chemicals.

In accordance with DIN 18531 (Waterproofing of roofs, balconies and walkways) **Part 5:** Balconies and walkways (AIV-F)

In accordance with DIN 18533 (Waterproofing of elements in contact with soil) **Part 3:** Waterproofing with liquid-applied waterproofing materials

- Water exposure class **W1-E:** soil moisture and non-pressing water
- Water exposure class **W4-E:** spray water on wall plinths and capillary water in and under walls in contact with the soil

In accordance with DIN 18535 (Waterproofing of tanks and pools) **Part 3** Waterproofing with liquid-applied waterproofing materials

Application as waterproofing of buildings subject to official regulation (building standard list A part 2 ff. 2.49):

Required dry layer thickness for loads in accordance with DIN 18195 part 4, 6 and 7:	2.5 mm
--	--------

e.g. waterproofing against soil moisture and non-standing seepage water of floor slabs and walls (external basement wall)

e.g. waterproofing against standing seepage water and pressing water up to a foundation depth of 3 m

e.g. waterproofing against water pressing from the inside (water reservoir without a ceramic coating)

Consumption of PCI Seccoral 2K Rapid:

- | | |
|--|-----------------------|
| – at 2.0 mm dry layer thickness (approx. 2.3 mm wet layer thickness) | 2.5 kg/m ² |
| – at 2.5 mm dry layer thickness (approx. 3.0 mm wet layer thickness) | 3.2 kg/m ² |

Coverage of 25 kg of mixed PCI Seccoral 2K Rapid:

- | | |
|---------------------------------|-----------------------------|
| – at 2.0 mm dry layer thickness | approx. 10.0 m ² |
| – at 2.5 mm dry layer thickness | approx. 7.8 m ² |

Processing temperature	+5°C to +25°C (substrate and ambient temperature)
------------------------	---

Mixing ratio	12.5 kg liquid component :
	12.5 kg powder component

Density of mixed mortar	1.20 g/cm ³
-------------------------	------------------------

Processing time*	45 minutes
------------------	------------

Curing time*	
– walkable after	approx. 4 hours
– exposure to water after	approx. 3 days
– backfill excavation pit after	approx. 3 days
– can be tiled after	approx. 4 hours
Temperature resistance	-20°C to +80°C

*At +23°C and 50% relative humidity.

Test certificates

- Official test certificates in accordance with the test principles for waterproofing products bonded with tiles and flagstones and waterproofing buildings with mineral waterproofing slurries.
All test certificates are available under www.pci-augsburg.eu.

Preparation of substrate

- Suitable substrates are concrete to EN 206-1 (minimum strength class C 20/25), plaster/render minimum strength class CS III to EN 998-1), masonry produced of brick or sandlime brick with joints completely filled with cement mortar. Prior to being coated, foamed slag bricks and hollow concrete blocks are to be plastered/rendered in accordance with mortar group CS III to DIN 998-1.

The substrate must be structurally sound, mainly even and fine-pored in the surface. It must be free from honeycombs, gaping cracks and ridges, dust, water repellents, forming oil or other residues which could impair adhesion. Fill voids and honeycombs on walls with PCI Polycrret 5 concrete filler or PCI Pericret repair mortar.

Break edges and round grooves flush with a minimum radius of 4 cm. Form coverings with site-mixed mortar or PCI Repafix repair mortar. Prewet the cementitious substrate; it must be damp at the time of application, but not overwatered.

Prime mastic asphalt screeds indoors and rough-ground anhydrite screeds and/or gypsum-based flowable screeds with undiluted PCI Gisogrund. Allow primer to dry. Anhydrite screeds and/or gypsum based screeds indoors must not have a residual moisture content in excess of 0.5% (measured with CM meter).

Lime cement renders are to be primed with PCI Gisogrund diluted 1 : 1 with water if necessary.

Application procedure

It is required to apply two coats of PCI Seccoral 2K Rapid fully covering the substrate. The finished coat must have the required minimum thickness over its entire area for the expected water load (see "Technical Data/Application").

1 Mixing both components

a) Application by trowel

Mixing:

(It might be necessary to stir up the liquid component before mixing it).

Fill the liquid component in an adequate, clean mixing bucket and add the powder component. Using a suitable paddle, e.g. from Collomix, mix both components for approx. 3 minutes until a homogeneous compound is produced. Leave to stand for approx. 1 minute and remix.

b) Application by brush or spray gun

When both components are mixed, add approx. 10% of water, in relation to the liquid dispersion, and briefly remix to obtain a homogeneous compound.

For partial quantities:

1 kg of liquid component

1 kg of powder component

0.1 liter of water

PCI Seccoral® 2K Rapid

2 Preparation of substrate Prewet the prepared cementitious substrate. The substrate must still be damp, but not overwatered, when applying the waterproof coating PCI Seccoral 2K Rapid. No pre-wetting is required on primed mastic asphalt screed, anhydrite screed and/or gypsum-based flowable screed.

3 Application procedure

Apply the first coat using e.g. a flat bristle brush or roller until the entire surface is saturated. Make sure that corners and rounded edges are thoroughly covered.

3a Waterproof pipe culverts and floor drains with PCI Pecitape 10 x 10 and/or PCI Pecitape 42.5 x 42.5. Waterproof corner joints and floor/wall junctions with PCI Pecitape 120 unless no coving is formed. Press PCI Pecitape 120 into the first coat of PCI Seccoral 2K Rapid and cover it by applying a second coat.

3b Using a trowel, apply the second and possible third coat up to a total maximum thickness of 5 mm.

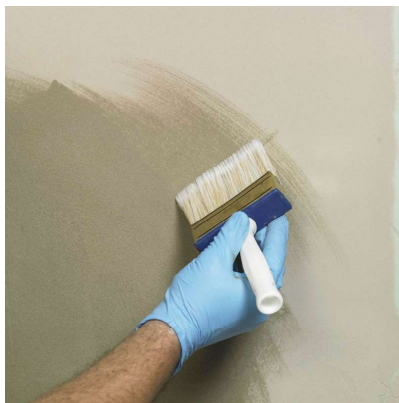
4 Laying ceramic tiles

Ceramic tiles can be laid on the walkable coating after approx. 4 hours* using PCI Nanolight, PCI Flexmörtel and/or PCI Flexmörtel S1 Rapid. A void-free application is required in the exterior.

5 Protecting the coating

Do not backfill the excavation pit until the coating has thoroughly cured (after approx. 3 days*), protect excavation pit by taking appropriate measures in accordance with DIN 18195. Protect coating from damages which may be caused by subsequent works, e.g. a gypsum-free trowel plaster, protective screed, foam or mineral fiberboards, foil or other surface coatings.

*at 23°C and 50% humidity



Moisten the substrate.



Pour liquid component of PCI Seccoral 2K Rapid in a clean container.



Add PCI Seccoral 2K Rapid powder.



Mix PCI Seccoral 2K Rapid to a homogeneous compound for the application by trowel (1 a).



Add water for the application by roller (1 b).



Install PCI Pecitape waterproofing tape in corners.

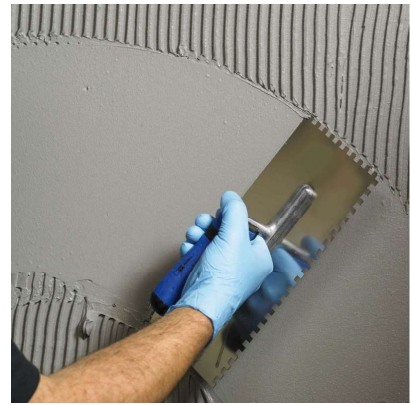
PCI Seccoral® 2K Rapid



Fix PCI Pecitape 10 x 10 waterproofing collar and properly cover it with PCI Seccoral 2K Rapid.

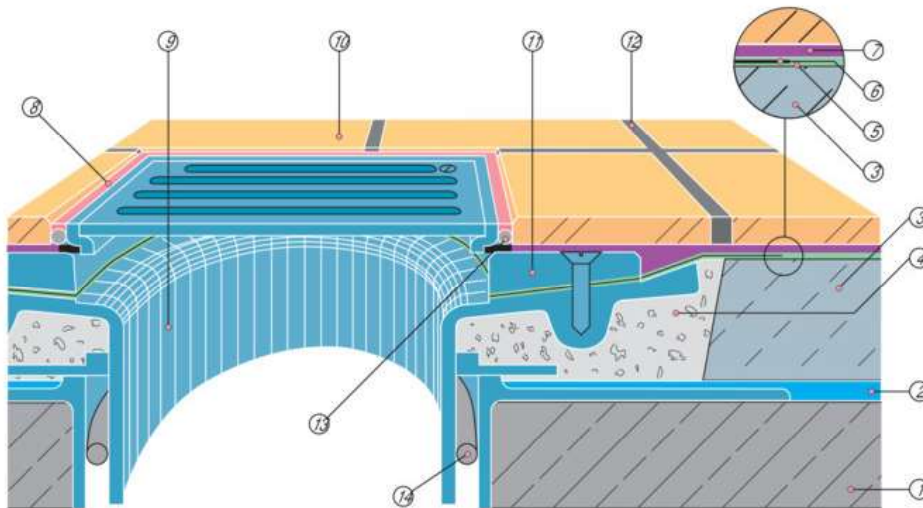


Apply first layer e.g. by roller or float covering the entire surface.



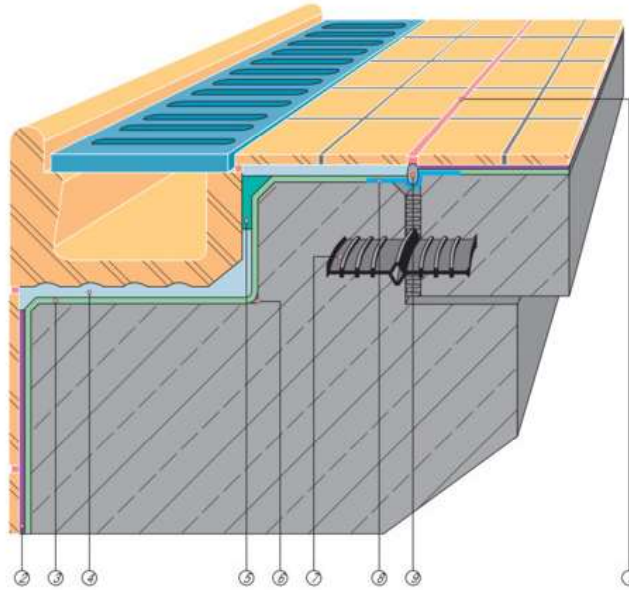
Using a suitable trowel, apply the second and possible third layer until the required total thickness is obtained.

Terrace construction with drainage within the covering with floor drain



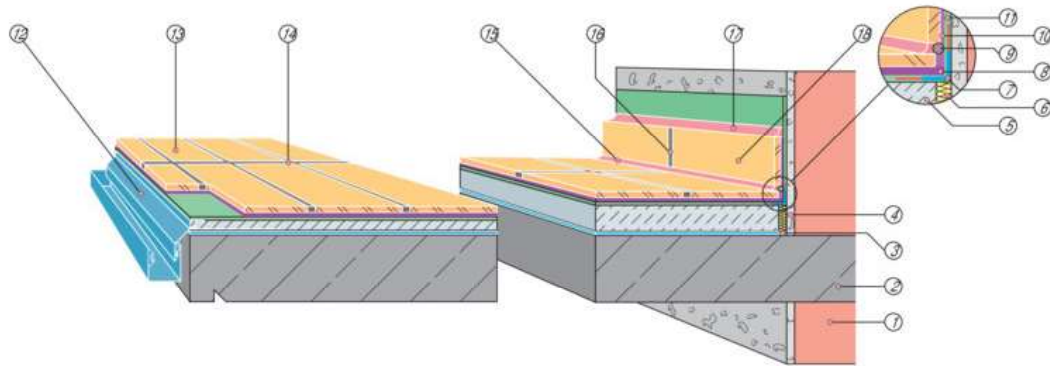
1. reinforced concrete slab
2. bonding agent PCI Pecihaft or PCI Repahaft (in combination with PCI Novoment M1 plus)
3. sloped bonded screed with PCI Novoment M1 plus
4. PCI Repafix
5. waterproofing with PCI Seccoral 2K Rapid
6. PCI Pecitape 42,5 x 42,5
7. PCI Flexmörel Premium
8. PCI Silcoferm S
9. floor drain
10. non-slip tile
11. clamping flange
12. joint grout PCI Flexfug
13. backfiller DIN Polyband
14. rolling ring

Waterproofing swimming pool heads



1. elastic grouting with PCI Silcofug E
2. thin-bed mortar, e.g. PCI FT-Klebemörtel in combination with PCI Lastoflex
3. PCI Seccoral 2K Rapid
4. thick bed mortar
5. grouting with PCI Apoten
6. coving with PCI Repafix
7. expansion joint tape 250 mm wide
8. PCI Pecitape 250, PCI Pecitape 120
9. DIN Polyband

Balkonkonstruktion mit Abdichtung unter dem Keramikbelag auf Gefälle-Verbundestrich



1. masonry
2. reinforced concrete slab
3. bonding agent PCI Pecihaft or PCI Repahaft (in combination with PCI Novoment® M1 plus)
4. plaster/render
5. sloped bonded screed with PCI Peciment 50 or PCI Novoment M1 plus
6. barrier strip
7. PCI Pecitape 120
8. thin-bed mortar PCI Flexmörtel Premium
9. joint backfiller DIN-Polyband
10. thin-bed mortar PCI Flexmörtel Premium
11. waterproofing with PCI Seccoral® 2K Rapid
12. Gutjahr balcony drainage system Watec Fin installed in sloped screed
13. non-slip tile
14. joint grout PCI Flexfug
15. PCI Silcoferm S or PCI Elritan 140
16. joint grout PCI Flexfug
17. connection joint with PCI Adaptol, PCI Silcoferm S or PCI Elritan 140
18. base tile

PCI Seccoral® 2K Rapid

- Do not apply PCI Seccoral 2K Rapid at ambient and substrate temperatures below +5°C and above +25°C. Avoid exposure to extreme heat and draught.
- Mix only as much PCI Seccoral 2K Rapid as can be applied within approx. 45 minutes.
- Never add water and/or liquid component or fresh powder component to reconstitute a PCI Seccoral 2K Rapid mix which has already begun to set.
- For areas of use classes I, II, III in accordance with the ZDB code of practice "Coverings subject to heavy-duty mechanical loads", e.g. industrial kitchens, canteens, sales rooms, motor vehicle showrooms and maintenance rooms.
Tensile strength of ceramic (F(N) to DIN EN ISO 10545-4 min. 1500 N for class I and II, 3000 - 5000 N for class III.
- Additives to PCI Seccoral 2K Rapid are not allowed.
- Irregular substrates must be leveled before waterproofing.
- The following procedure must be followed when fixing tiles and flagstones on PCI Seccoral 2K Rapid in a thick bed: When PCI Seccoral 2K Rapid is applied to the required minimum layer thickness, another coat of PCI Seccoral 2K Rapid is necessary. A stipple coat modified with PCI Emulsion is applied to the fresh material. Allow the stipple coat to cure, tiles and flagstones can then be laid in a thick bed.
- Connecting sections and angle sections made of metal must be doweled to the substrate and waterproofed with PCI Seccoral 2K Rapid. It can thus be avoided that the PCI Seccoral 2K Rapid layer separates from the metal section due to thermal expansion.
- We recommend the following preparation for gutters made of zinc or zinc-titanium before applying PCI Seccoral 2K Rapid: Prime gutter with PCI Elastoprimer 220 (two coats), sprinkle fire-dried silica sand (grain size 0.1 – 0.4 mm) over the newly applied second coat. Allow primer to dry.
- Do not backfill an excavation pit with rubble, coarse stones or debris. The waterproofing layer must not be damaged (to be protected by placing e.g. drain boards in front of the excavation pit). PCI Seccoral 2K Rapid must have thoroughly cured before backfilling the excavation pit.
- The perimeter joint in floating screeds must be free of mortar and waterproofing slurry to avoid acoustical bridges. We recommend for wall/floor connections (see detail drawing) to keep at least 10 mm free from PCI Seccoral 2K Rapid in horizontal and vertical direction. Impurities on the perimeter strip must be thoroughly removed before installing the waterproofing tape.
- The liquid component of PCI Seccoral 2K Rapid is not suitable to be blended with mineral systems and to act as a primer for subsequent mineral systems.
- Clean tools with water immediately after use; the cured product can only be removed by mechanical scraping.
- It is not allowed to use PCI Seccoral 2K Rapid for areas subject to chemical exposure, e.g. W3-I C.
- Suitable tools are available from e.g.
Collomix GmbH
Horchstraße 2
85080 Gaimersheim/Germany
www.collomix.de.
- Storage: dry and frost free, no permanent storage over +30°C.

Information on the safe use

User must read the most recent corresponding Safety Data Sheets (SDS) before using any products. The SDS provides information and advice on the safe handling, storage and disposal of chemical products and contains physical, ecological, toxicological and other safety-related data.

Declaration of Performance

The Declaration of Performance can be downloaded as pdf file under www.pci-augsburg.eu/dop.

Services for architects and designers

Consultations at the workplace, supplementary information, testing certificates and sample descriptions can be requested from professional advisors and at the company headquarters.

Disposal of emptied PCI sales packaging

You find more information on disposal on the Internet at <https://www.pci-augsburg.eu/en/services/disposal-instructions-en/packaging>. Do not allow product to enter drains, waterways or soil. Only recycle packaging that is completely empty. Hardened material residues can be disposed of as household waste. Dispose of product residues that have not hardened in the pollutant collection.

Last revised in 9/25

This version will become invalid immediately upon the publication of a later version; you will always find the latest version on the Internet at www.pci-augsburg.de.

PCI Augsburg GmbH

Piccardstr. 11 · 86159 Augsburg

Postfach 102247 · 86012 Augsburg

Tel. +49 (8 21) 59 01-0

Fax +49 (8 21) 59 01-372

www.pci-augsburg.de

The working conditions on construction sites and the areas of application of our products are highly diverse. In the technical data sheets, we can only give general instructions for the use of our products. These are in accordance with the information currently available to us. Architects, engineers and the users of our products are under an obligation to verify the suitability of our products and the feasibility of using them for their specific applications. For applications not explicitly referred to under "Area of applications" in the technical data sheet, architects, engineers and users of our products are under an obligation to obtain technical advice from PCI. In the event that the product is used outside the scope of applications defined in the technical data sheet without obtaining the advice of PCI, the user of the product will be liable for any loss or damage arising as a result of the use of the product. All the descriptions, drawings, photographs, data, conditions, weights, etc. stated in the technical data sheet may be changed without notice and do not represent the agreed properties of the product. Recipients of our products are under an obligation to comply with any proprietary rights and any applicable laws and regulations under their own responsibility. If trade names used by other companies are referred to in this technical data sheet, such references do not represent a recommendation for the use of such products and do not exclude the use of other comparable products. The information which we provide only describes the characteristics of our products and services and does not represent any guarantee. A guarantee of specific properties or the fitness of the product for a specific purpose cannot be derived from the information which we provide. We will not be liable for any incomplete or incorrect information in our information material except in the case of wilful act or omission or gross negligence. This disclaimer does not affect any claims under the Produkthaftungsgesetz (Product Liability Act).